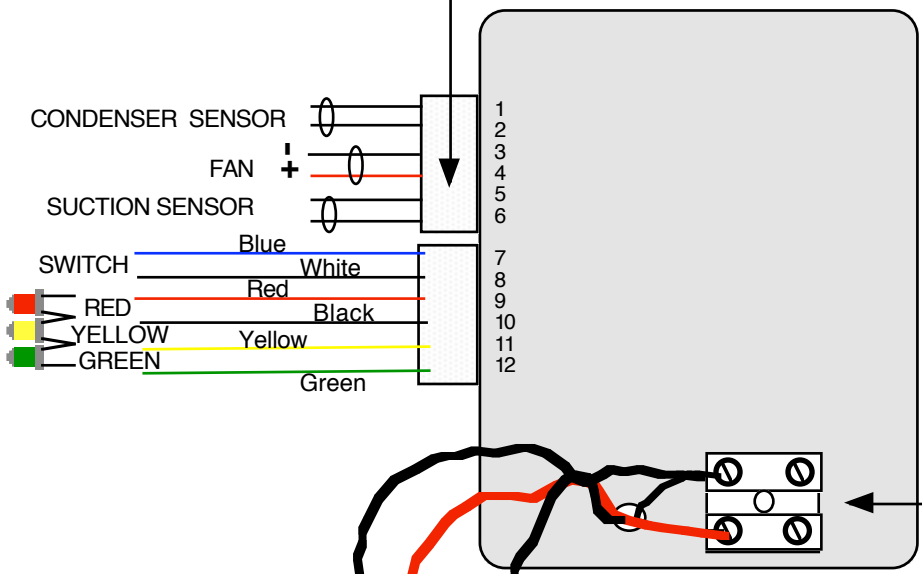
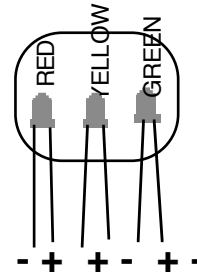
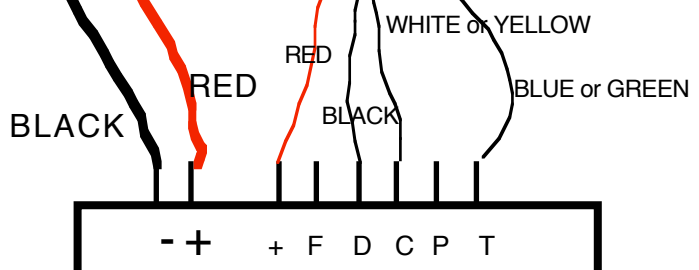


PLUGS NOTE TERMINAL SCREWS NOT VISABLE FROM THIS SIDE



POWER IN TERMINAL POSITIVE TO RED NEGATIVE TO BLACK



Plug must be this way up on motor pins

